

Figure A.2 Examples of rectangular bar weights (Type 1)

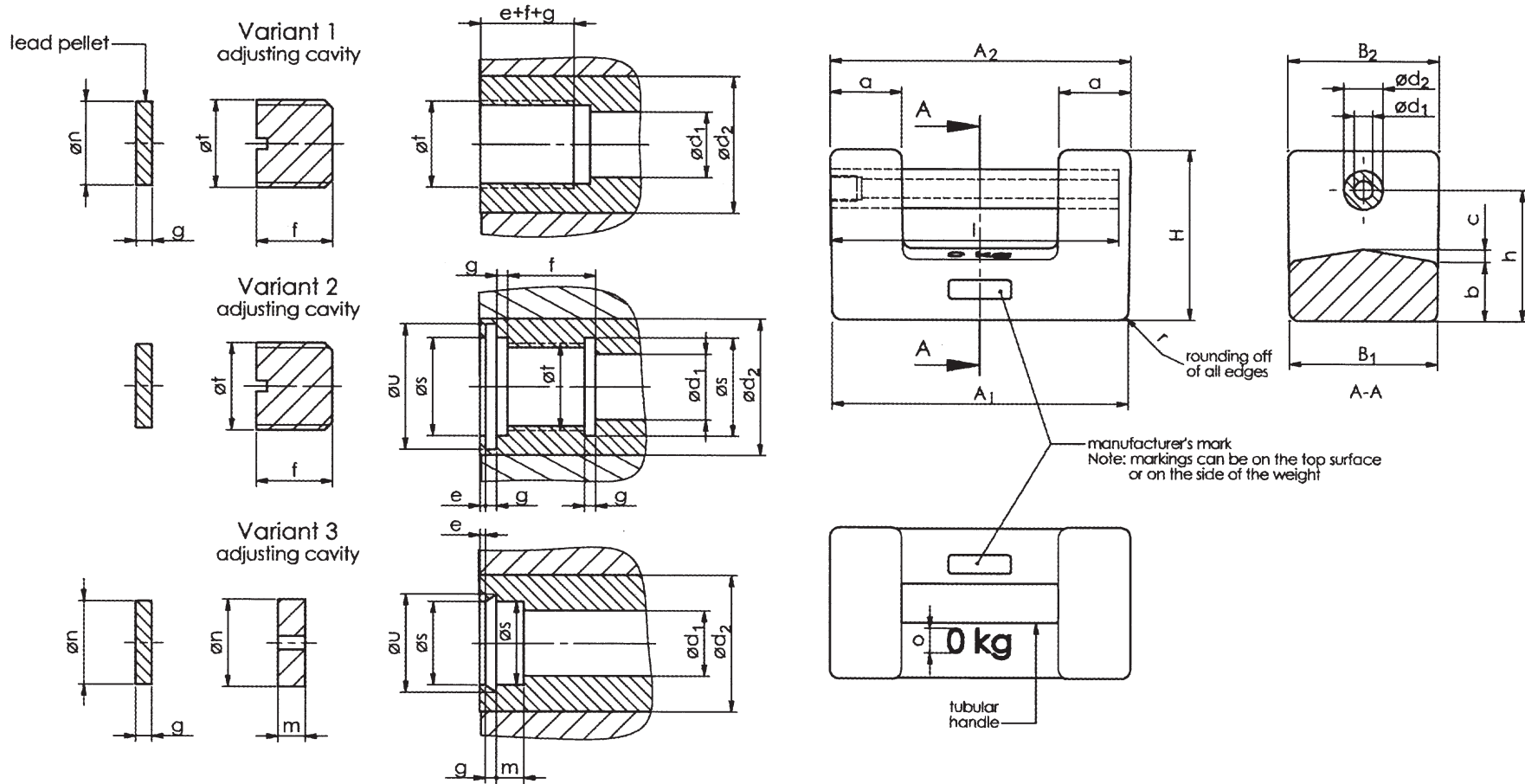
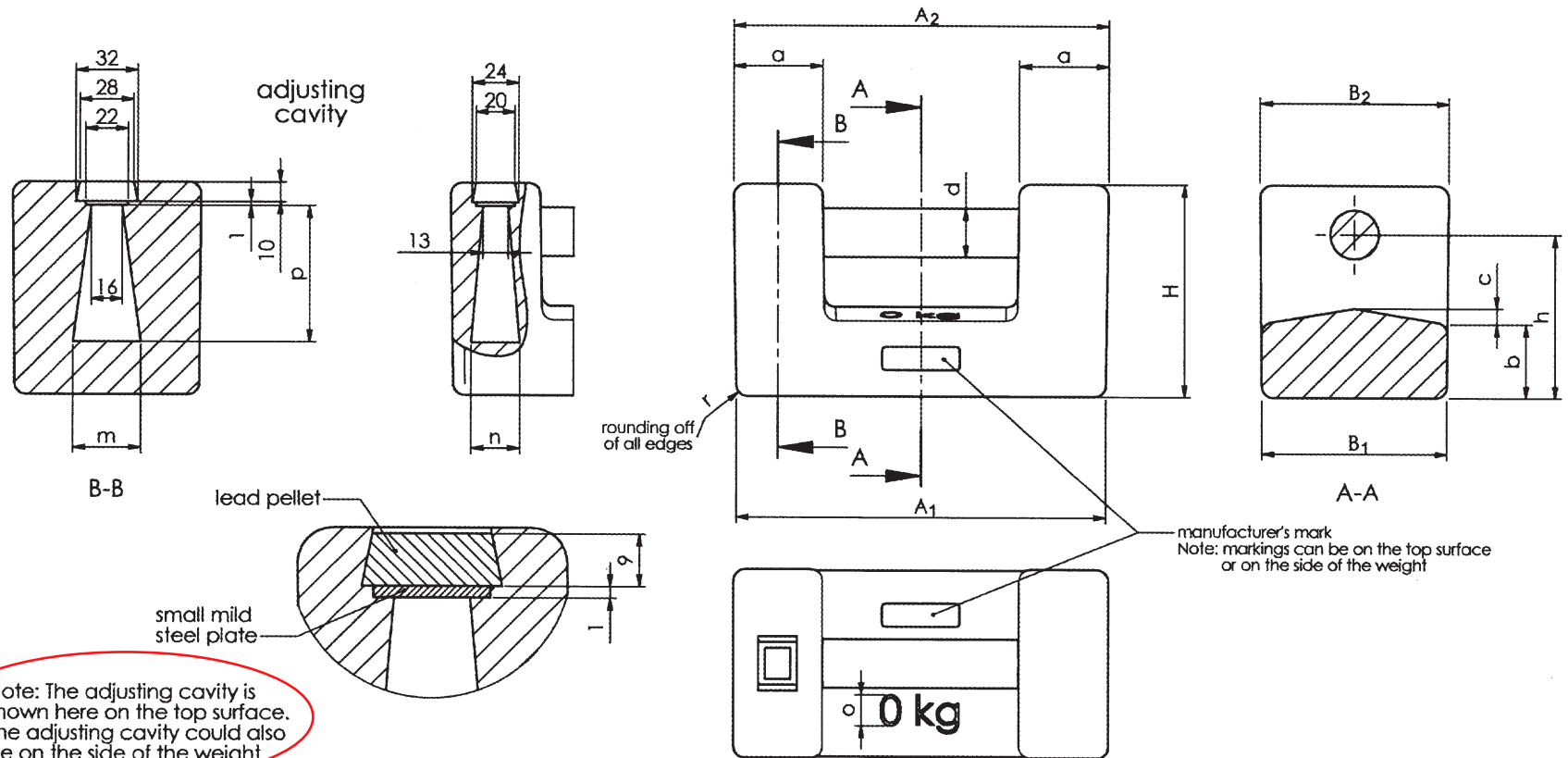


Table of dimensions (in millimeter)

| Nominal value | A ₁ | A ₂ | B ₁ | B ₂ | H | a | b | c | d ₁ | d ₂ | e | f | g | h | l | m | n | o | r | s | t | u |
|---------------|----------------|----------------|----------------|----------------|-----|----|----|----|----------------|----------------|---|----|---|-----|-----|---|----|----|----|------|---------|----|
| 5 kg | 150 | 152 | 75 | 77 | 84 | 36 | 30 | 6 | 12 | 19 | 1 | 14 | 2 | 66 | 145 | 5 | 16 | 12 | 5 | 16,5 | M16x1,5 | 18 |
| 10 kg | 190 | 193 | 95 | 97 | 109 | 46 | 38 | 8 | 12 | 25 | 1 | 14 | 2 | 84 | 185 | 5 | 16 | 16 | 6 | 16,5 | M16x1,5 | 18 |
| 20 kg | 230 | 234 | 115 | 117 | 139 | 61 | 52 | 12 | 24 | 29 | 2 | 21 | 3 | 109 | 220 | 8 | 27 | 20 | 8 | 27,5 | M27x1,5 | 30 |
| 50 kg | 310 | 314 | 155 | 157 | 192 | 83 | 74 | 16 | 24 | 40 | 2 | 21 | 3 | 152 | 300 | 8 | 27 | 25 | 10 | 27,5 | M27x1,5 | 30 |

Dimensions A and A' as well as B and B' can be reversed.

Figure A.3 Examples of rectangular bar weights (Type 2)



Note: The adjusting cavity is shown here on the top surface. The adjusting cavity could also be on the side of the weight

Table of dimensions (in millimeter)

| Nominal value | A ₁ | A ₂ | B ₁ | B ₂ | H | a | b | c | d | h | m | n | o | p | r |
|---------------|----------------|----------------|----------------|----------------|-----|----|----|----|----|-----|----|----|----|-----|----|
| 5 kg | 150 | 152 | 75 | 77 | 84 | 36 | 30 | 6 | 19 | 66 | 16 | 13 | 12 | 55 | 5 |
| 10 kg | 190 | 193 | 95 | 97 | 109 | 46 | 38 | 8 | 25 | 84 | 35 | 25 | 16 | 70 | 6 |
| 20 kg | 230 | 234 | 115 | 117 | 139 | 61 | 52 | 12 | 29 | 109 | 50 | 30 | 20 | 95 | 8 |
| 50 kg | 310 | 314 | 155 | 157 | 192 | 83 | 74 | 16 | 40 | 152 | 70 | 40 | 25 | 148 | 10 |

Dimensions A and A' as well as B and B' can be reversed.

The internal dimensions m, n, p of the adjusting cavities are given only as an indication.